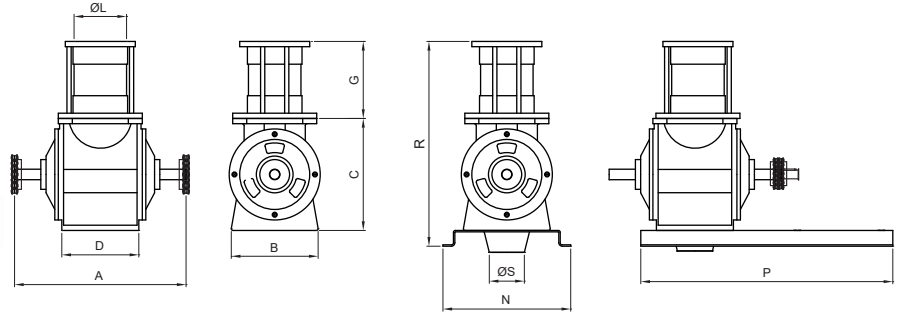




HAVA KİLİDİ

Air Lock

Воздушный Затвор

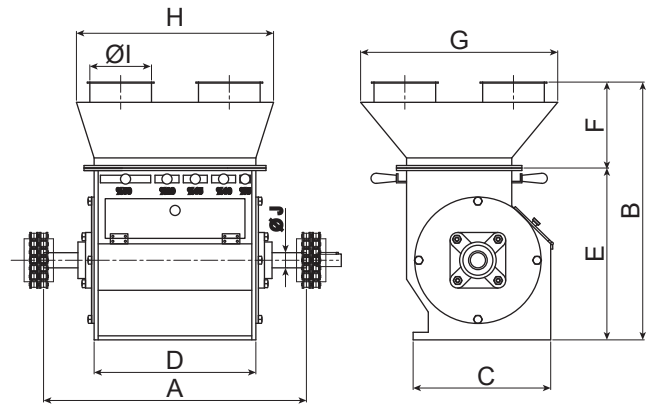


Model Type	Ölçüler / Dimensions (mm)										Ağırlık Weight (kg)
	A	B	C	D	G	L	N	P	R	S	
ZHK 200	490	250	295	220	220	132	365	720	515	120	40
ZHK 220	490	250	320	220	220	150	365	720	540	120	55
ZHK 240	490	250	320	220	220	150	365	720	540	120	65
ZHK 300	515	275	342	245	220	180	390	445	565	120	80
ZHK 400	590	390	480	340	220	200	440	485	700	200	135

PAÇAL MAKİNESİ

Blending Machine

Дозатор



Model Type	Ölçüler / Dimensions (mm)										Kapasite Capacity (t/h)	Ağırlık Weight (kg)
	A	B	C	D	E	F	G	H	I	J		
ZPC 220	520	510	270	320	340	170	390	390	120	30	8-10	45

ZHK-101 Zincir Kaplin (Takım)

Chain Coupling (Set)
Цепная Муфта (Комплект)



Code	Type	1/2"	5/8"	3/4"	1"
ZHK-101	4020	x	-	-	-
	5018	-	x	-	-
	5020	-	x	-	-
	6020	-	-	x	-
	6022	-	-	x	-
	8020	-	-	-	x

ZHK-102 Zincir Kaplin

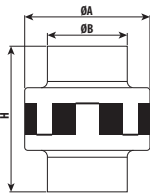
Chain Coupling
Цепная Муфта



Code	Type
ZHK-102	3/8"
	1/2"
	5/8"
	3/4"
	1"

ZHK-103 Yıldız Kaplin

Star Coupling
Звездобразная Муфта



Code	Type	ØA	ØB	H
ZHK-103	90	80	51	93
	110	95	60	106
	130	110	72	116
	150	125	80	118
	180	140	93	131
	200	160	107	136

ZHK-105 Elastik Dişli Kaplin

Elastic Gear Coupling
Муфта



Code	Type
ZHK-105	DK 14
	DK 24
	DK 28
	DK 32
	DK 38
ZHK-105	DK 42
	DK 48
	DK 55
	DK 60

ZHK-104 Yıldız Kaplin Lastiği

Star Coupling Plastic
Резина Звездобразной Муфты



Code	Type
ZHK-104	90
	110
	130
	150
	180
	200

ZHK-106 Zincir - Kilit - Yarım Ek

Chain - Lock - Semi Supplement
Цепь-Замок-Дополнительный Замок



Code	Type	Pitch	Chain	Lock	Half Join
ZHK-106	Z / 01	3/8"	I-II-III	I-II-III	I-II-III
	Z / 02	1/2"	I-II-III	I-II-III	I-II-III
	Z / 03	5/8"	I-II-III	I-II-III	I-II-III
	Z / 04	3/4"	I-II-III	I-II-III	I-II-III
	Z / 05	1"	I-II-III	I-II-III	I-II-III
	Z / 06	1x1/4"	I-II-III	I-II-III	I-II-III
	Z / 07	1x1/2"	I-II-III	I-II-III	I-II-III
	Z / 08	1x3/4"	I-II-III	I-II-III	I-II-III
	Z / 09	2"	I-II-III	I-II-III	I-II-III
	Z / 10	2x1/2"	I-II-III	I-II-III	I-II-III