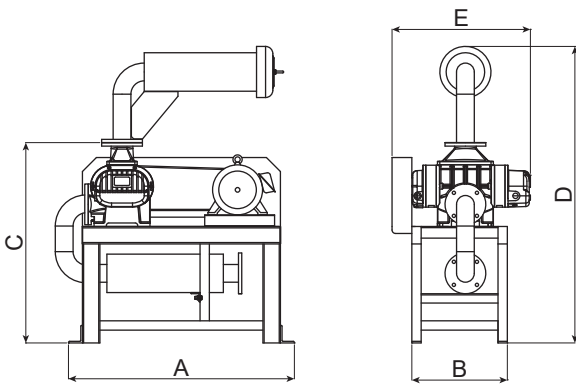




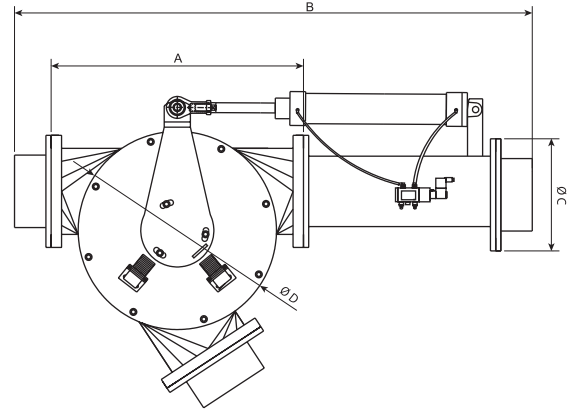
BLOWER POMPA

Blower Pump
Бловер Насос



PNÖMATİK YÖN KLAPESİ

Pneumatic Direction Clamp
Пневматический Направляющий Клапан



Type	Technical Features			Dimensions (mm)			
	Valve	Air Pressure (Bar)	Piston	A	B	ØC	ØD
ZPYK 50	5/2-24VDV/220-240v	6	32x115 mm	250	640	100	180
ZPYK 70	5/2-24VDV/220-240v	6	40x150 mm	310	690	130	225
ZPYK 95	5/2-24VDV/220-240v	6	50x180 mm	400	900	165	285
ZPYK 125	5/2-24VDV/220-240v	6	50x210 mm	485	985	195	370
ZPYK 135	5/2-24VDV/220-240v	6	50x260 mm	485	995	215	380
ZPYK 160	5/2-24VDV/220-240v	6	50x280 mm	530	1040	233	430