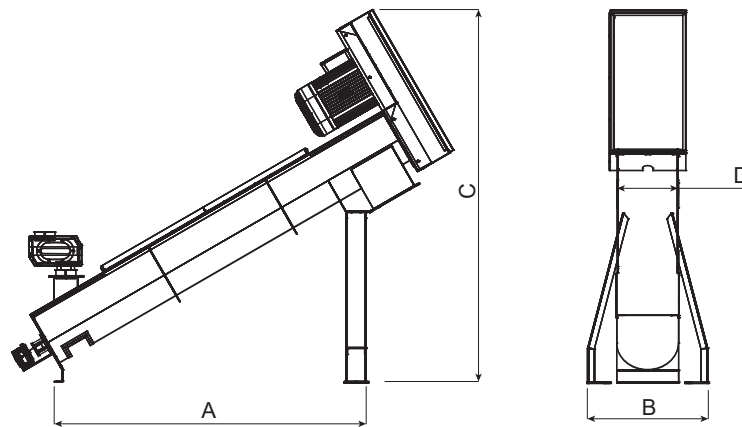


AÇILI CEBRİ TAV

Inclined Intensive Dampener
Аткрытый Увлажнитель



Type	Technical Features		Dimensions (mm)			
	Capacity (t/h)	Motor (kW)	A	B	C	D
ZAT 280	12	7.5	1850	710	2235	280
ZAT 350	15	11	1770	780	2257	350
ZAT 350	20	15		780	2257	350