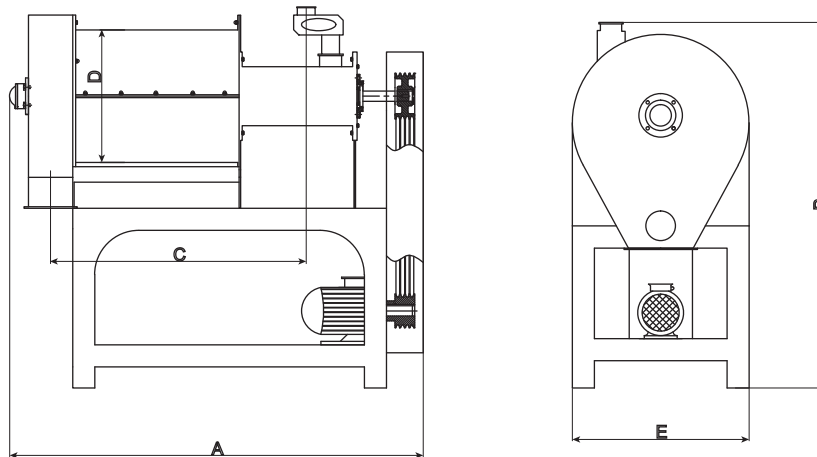
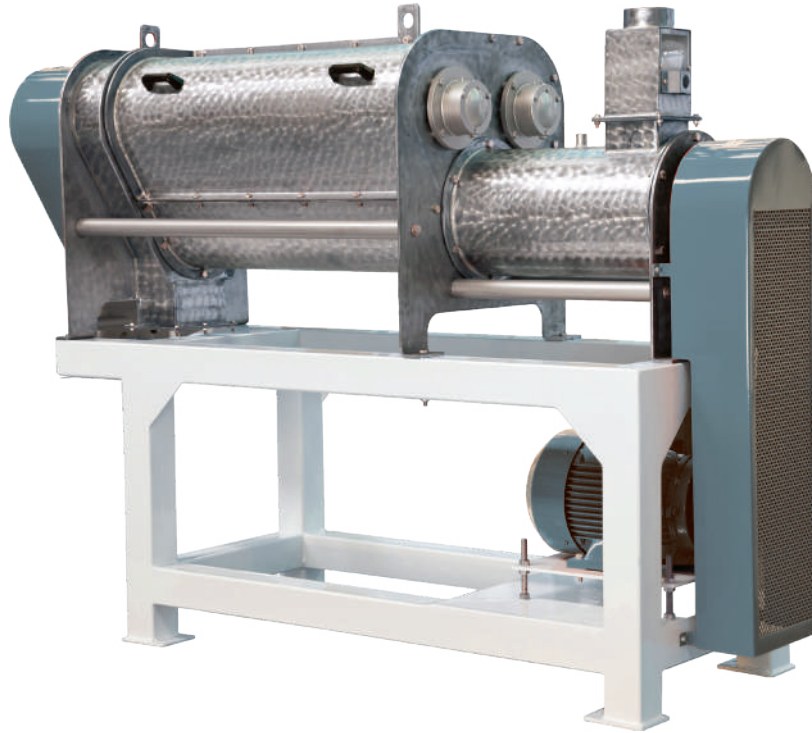




## CEBRİ TAV

Intensive Dampener  
Увлажнитель



Type	Dimensions (mm)					Motor (kW)	Capacity (t/h)
	A	B	C	D	E		
ZCT 32x50	1800	1580	925	540	670	7,5	8
ZCT 32x100	2300	1850	1550	540	670	15	14