



# ZORLU DEĞİRMEN

DEĞİRMEN MAKİNELERİ İML. SAN. LTD. ŞTİ.

ÜRÜN KATALOĐU | PRODUCT CATALOGUE





ZORLU  
DEĞİRMEN

OTOMASYON  
AUTOMATION  
АВТОМАТИКА

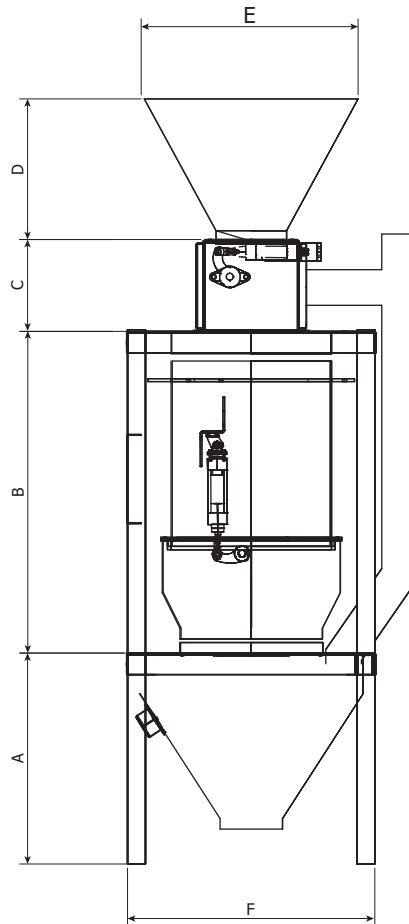


## RANDIMAN KANTARI

Extraction Scale  
Поточные Весы



Type	Technical Features							
	Product (Wheat-Flour- Bran)''	Capacity (lt)	Capacity (t/h)			Aspiration (m <sup>3</sup> )	Air Compressor (m/bar)	Weight (kg)
			Wheat	Flour	Bran			
ZRK-030	Wheat-Flour-Bran	30	2-5	0-3	0-1,5	8	5-6	300
ZRK-060	Wheat-Flour-Bran	60	3-10	1-6	1-3	10	5-6	325
ZRK-100	Wheat-Flour-Bran	100	5-25	4-15	2-6	12	5-6	375
ZRK-220	Wheat-Flour-Bran	220	10-50	6-30	3-15	12	5-6	585
ZRK-450	Wheat	450	50-100	---	---	16	5-6	1220
ZRK-700	Wheat	700	100-150	---	---	20	5-6	1415
ZRK-1500	Wheat	1500	150-300	---	---	28	5-6	2265



Type	Dimensions (mm)					
	A	B	C	D	E	F
ZRK-030	860	760	590	300	490	2140
ZRK-060	930	760	690	300	490	2240
ZRK-100	1030	860	760	300	490	2410
ZRK-220	1400	1240	930	930	815	3345
ZRK-450	1870/1200	1350	1000	1000	900	3670
ZRK-700	1870/1300	1550	1000	1000	1150	4120
ZRK-1500	1870/1600	1800	1800	1465	1550	5235



## ZOS-101 Programlanabilir Dijital Göstergeli Debimetre

Flow - Meter With Programmable Digital Indicator  
Расходомер с Программируемым Цифровым Индикатором



Code	Type	Capacity (t/h)	Water Pressure (bar)	Air Pressure (bar)	Max. Water Temperature
ZOS-101	1000	3 - 300	2 - 4	4 - 6	50°C
	1000	10 - 1000	2 - 4	4 - 5	50°C
	2500	25 - 2500	2 - 4	4 - 6	50°C
	4000	50 - 4000	2 - 4	4 - 6	50°C

## ZOS-102 Dijital Göstergeli Manuel Debimetre

Manual Flow - Meter With Digital Indicator  
Механический Расходомер с Цифровым Индикатором



Code	Feet Voltage	Feet Power	Air Pressure (bar)	Water Temperature	Analogue Output	Litre Range (Lt/h)
ZOS-102	220 DCV	30 W	4 - 6	80° C (Max.)	4 - 20 mA	50 - 4500

## ZOS-103 Elektro Valf Kontrollü Mekanik Debimetre

Mechanic Flow - Meter With Electro - Valve Controlling  
Механический Расходомер с Электрическим Клапаном



Code	Feet Voltage	Feet Power	Air Pressure (bar)	Water Temperature
ZOS-103	220 DCV	25 W	4 - 6	20° C (Max.)

## ZOS-104 Hava Kontrollü Mekanik Debimetre

Air - Controlled Mechanical Flow - Meter  
Механический Расходомер с Воздушным Клапаном



Code	Feet Voltage	Feet Power	Air Pressure (bar)	Water Temperature
ZOS-104	220 DCV	25 W	4 - 6	20° C (Max.)

**ZOS-105** Çift Proflu Kapasitif Sensör ve Analog Çeviricisi

Double Probe Capacitive Sensor and Analog Converter  
Датчик Уровня (Двухстороний)



Code	Operation Voltage	Screen Type	Power Consumption	Analog Output
ZOS-105	24V DC	2 Digit Digital Screen	10W	1 Unit 4 - 20 mA

Digital Input	Digital Output	Protection Glass	Prop Lenght	Operation Temperature
2 Unit 24V DC	2 Unit Relay NO-5A/220V AC	IP 64	50 (cm)	-10°C / 60°C

**ZOS-106** Çift Proflu Kapasitif Seviye Sensörü (50-125cm)

Double Probe Capacitive Level Sensor (50-125cm)  
Датчик Уровня (Двухстороний) (50-125 см)



Code	Operation Voltage	Power Consumption	Digital Input	Protection Glass	Prop Lenght	Operation Temperature
ZOS-106-50	24V DC	10W	1 Unit Relay NO-5A/220V AC	IP 64	50 (cm)	-10°C / 60°C
ZOS-106-125	24V DC	10W	1 Unit Relay NO-5A/220V AC	IP 64	125 (cm)	-10°C / 60°C

**ZOS-107** Çift Proflu Kapasitif Seviye Sensörü (Eğik Milli)

Double Probe Capacitive level Sensor (With Sloped Shaft)  
Датчик Уровня (Изогнутый)



Code	Operation Voltage	Power Consumption	Digital Input	Protection Glass	Prop Lenght	Operation Temperature
ZOS-107	24V DC	10W	1 Unit Relay NO-5A/220V AC	IP 64	50 (cm)	-10°C / 60°C

**ZOS-108** Dijital Kapasitif Seviye Sensörü (Düz Milli)

Digital Capacitive Level Sensor (with Plain Shaft)  
Датчик Уровня (Цифровой)



Code	Operation Voltage	Power Consumption	Digital Input	Protection Glass	Prop Lenght	Operation Temperature
ZOS-108	24V DC	2W	1 Relay Optional 1+1 NO-5A/220V AC	IP 54	50 (cm)	-10°C / 60°C



## Z0S-109 Dijital Kapasitif Seviye Sensörü (Eğik Milli)

Digital Capacitive Level Sensor (with Sloped Shaft)  
Датчик Уровня Цифровой (Изогнутый)



Code	Operation Voltage	Power Consumption	Digital Input	Protection Glass	Prop Length	Operation Temperature
Z0S-109	24V DC	2W	1 Relay Optional 1+1 NO-5A /220V AC	IP 54	22 (cm)	-10°C / 60°C

## Z0S-110 Dijital Kapasitif Seviye Sensörü (Halatlı)

Digital Capacitive Level Sensor (With Rope)  
Датчик Уровня Цифровой ( с Тросом)



Code	Operation Voltage	Power Consumption	Digital Input	Protection Glass	Prop Length	Operation Temperature
Z0S-110	24V DC	2W	1 Relay Optional 1+1 NO-5A /220V AC	IP 54	150 (cm)	-10°C / 60°C

## Z0S-111 Tartım İndikatörü

Weighing Indicator  
Индикатор Взвешивания



Code	Operation Voltage	Screen Type	Resolution	Controller Voltage	Analog Output	Loadcell Input	Operation Temperature
Z0S-111	24V DC	6 Digit Digital Screen	24 bit S-D ADC	24V DC	4 - 20 mA (max 250 Ω)	1 Unit 6-4 Terminal Loadcell	-10°C / 60°C

## Z0S-112 Flow Balancer Kontrol Ünitesi

Flow Balancer Control Unit  
Блок Управления



Code	Operation Voltage	Screen Type	Communication	Digital Input	Digital Output	Loadcell Input	Operation Temperature
Z0S-112	24V DC	128x64 GLCD	ModBus RTU	3 Unit 24V DC	4 Unit NPN Transistor NO 5A/220V AC Relau	1 Unit 4 Terminal Loadcell	-10°C / 60°C



**Z0S-113 Zaman Rölesi**

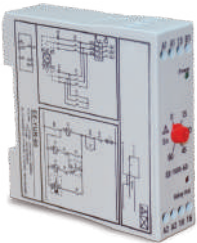
Time Relay  
Реле Времени



Code	Operation Voltage	Power Consumption	Digital Output	Time Range	Operation Temperature
Z0S-113	220 V AC 24V AC/DC	3W	1 Unit NO - NC 5A/220V AC	0 - 60 (sn)	-10°C / 60°C

**Z0S-114 Yıldız Üçgen Rölesi**

Star Triangle Relay  
Реле Времени



Code	Operation Voltage	Power Consumption	Digital Output	Time Range	Operation Temperature
Z0S-114	220 V AC 24V AC/DC	3W	1 Unit NO - NC 5A/220V AC	0 - 60 (sn)	-10°C / 60°C

**Z0S-115 Flaşör Zaman Rölesi**

Flasher Time Relay  
Реле Времени (Флашор)



Code	Operation Voltage	Power Consumption	Digital Output	Time Range	Operation Temperature
Z0S-115	220 V AC 24V AC/DC	3W	1 Unit NO - NC 5A/220V AC	0 - 60 (sn)	-10°C / 60°C

**Z0S-116 Dijital Potansiyelmetre**

Digital Ampermeter  
Цифровой



Code	Operation Voltage	Screen Type	Power Consumption	Resolution	Analog Input	Analog Outputn	Operation Temperature
Z0S-116	220V AC	5 Digit Digital Screen	6 W	100 Skala	1 Unit 0 - 10 V DC	1 Unit 4 - 20 mA (max 250 Ω)	-10°C / 60°C



divayn  
FEVZİ



**ZORLU DEĞİRMEN**  
DEĞİRMEN MAKİNELERİ İML. SAN. LTD. ŞTİ.

Fevzi Çakmak Mah. Gülistan Cd. No: 36/A Karatay / KONYA  
Tel +90 332 248 10 83 // Fax +90 332 248 10 88 // info@zorumilling.com

[www.zorumilling.com](http://www.zorumilling.com)

