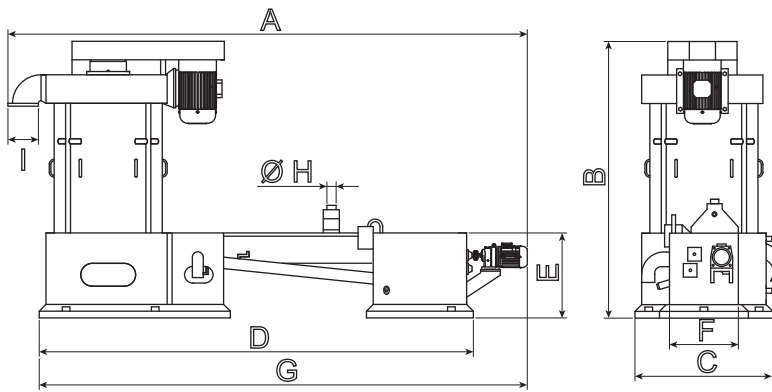
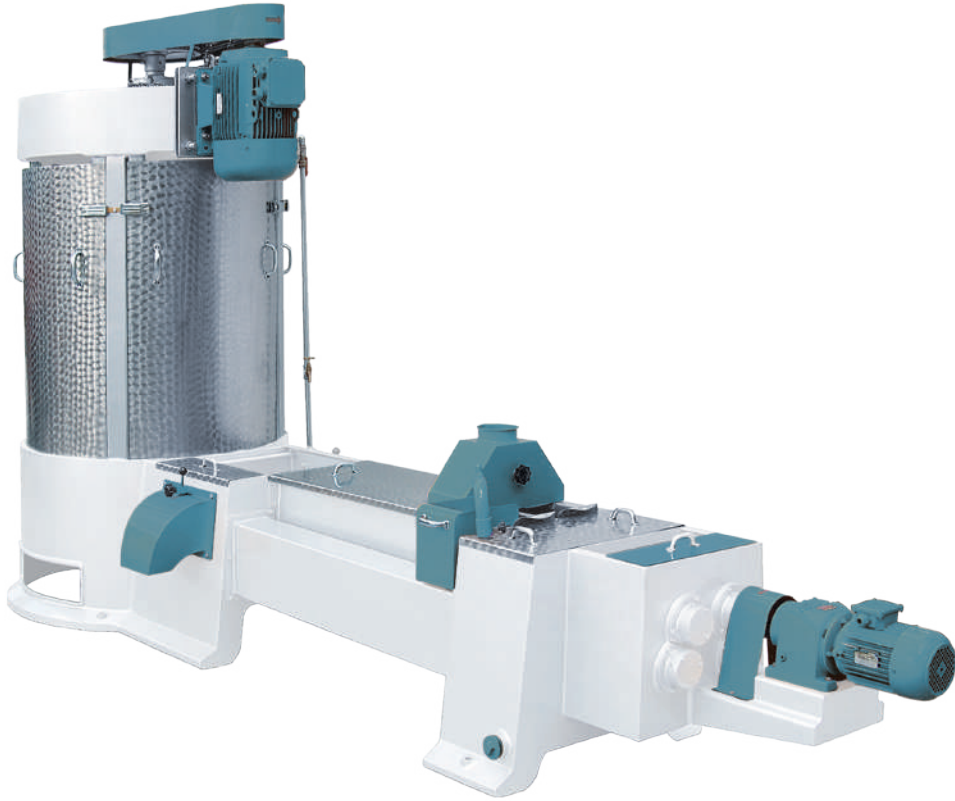




DİK KURUTMALI YIKAMA

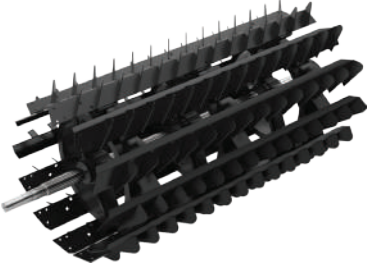
Vertical Washing & Drying
Вертикальная Мойка



Model Type	Ölçüler / Dimensions (mm)									Kapasite Capacity (t/h)	Motor Gücü Motor Power		Su İhtiyacı Water Requirement (lt/h)	Su Girişi Water Inlet PUT Ø (DN)	Rotor Rotary (mm)	Ağırlık Weight (kg)
	A	B	C	D	E	F	G	H	I		Yıkama Washing	Kurutma Drying				
ZDKY 6	4170	2400	950	3300	500	550	3900	120	190x290	3 - 4	0,75kw 160rpm	7,5kw 1500rpm	1200 lt	1" (DN25)	600	1400
ZDKY 8	4470	2400	1100	3600	550	650	4200	120	190x390	6 - 8	1,1kw 160rpm	11kw 1500rpm	3000 lt	1" (DN25)	750	1650
ZDKY 12	4670	2500	1300	3800	580	700	4400	150	190x490	12 - 14	1,5kw 160rpm	15kw 1500rpm	5000 lt	1-1/4" (DN32)	900	2000

ZDKY-101 Yıkama Paleti Takımı

Washing Drying Palette (Set)
Палета Мойки



Code	Type
ZDKY-101-6	6
ZDKY-101-8	8
ZDKY-101-12	12

ZDKY-102 Yıkama Şanzuman Dişli Takımı

Washing Drying Gears (Set)
Шестерни Мойки



Code	Gear
ZDKY-102-1	22
ZDKY-102-2	43
ZDKY-102-3	52

ZDKY-103 Yıkama Şanzuman Yatakları

Washing Drying Transmission Housing
Корпус Мойки



ZDKY-104 Yıkama Kasnakları

Washing Drying Pulleys
Норийный



ZDKY-105 Yıkama Helezonu

Washing Drying Spiral
Шкив Мойки

