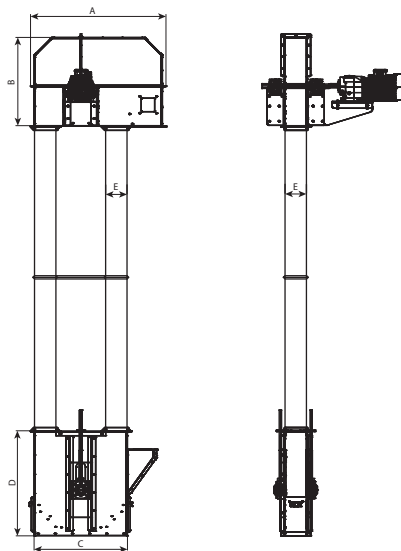
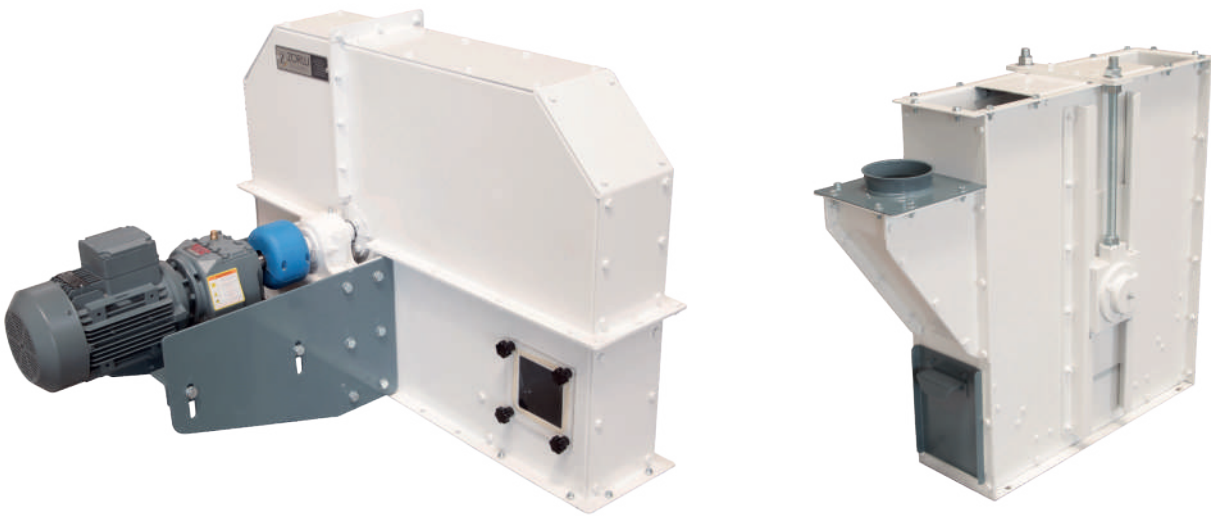




## ELEVATÖR

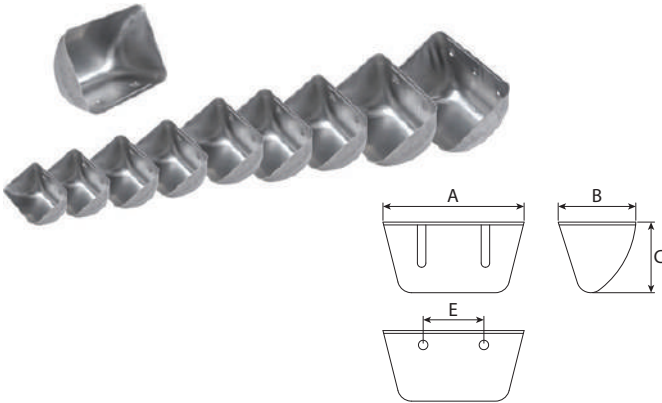
Elevator  
Элеватор



Type	Technical Features Motor (kW)	Dimensions (mm)				Weight (kg)
		A	B	E	H	
ZEL 16x16	0,75	785	700	570	160	164
ZEL 20x20	1,1	1100	830	750	200	245
ZEL 22x22	1,5	1116	830	790	220	293
ZEL 25x25	3	1220	855	950	250	428
ZEL 30x30	4	1520	1075	1120	300	757
ZEL 30x35	5,5	1520	1075	1120	350	870

**ZEL-101 Elevatör Kovaları (Metal)**

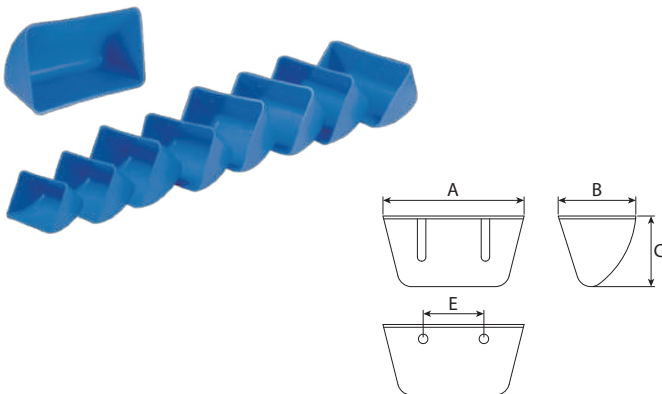
**Elevator Buckets (Sheet)**  
**Ковш Нории (Металлический)**



Code	Type	Dimensions (mm)					
		A	B	C	E	Lt.	Kg.
ZEL -101	90	98	95	71	46	0,310	0,250
	100	110	103	77	57	0,370	0,325
	120	126	114	87	67	0,585	0,510
	140	148	133	96	85	0,820	0,750
	160	170	143	103	101	1,140	1,035
	180	188	148	110	110	1,270	1,240
	200	209	160	136	130	1,730	1,550
	225	235	166	133	140	2,345	2,315
	240	240	175	130	120	2,505	2,252
	250	260	168	137	154	2,755	2,590
	280	280	180	115	190	2,950	2,770
	300	310	180	136	205	3,890	3,680
	320	320	220	150	200	6,251	4,474

**ZEL-102 Elevatör Kovaları (Plastik)**

**Elevator Buckets (Plastic)**  
**Ковш Нории (Пластмассовый)**



Code	Type	Dimensions (mm)					
		A	B	C	E	Lt.	Kg.
ZEL -102	100	107	100	75	46	0,242	0,330
	120	125	115	85	57	0,382	0,510
	140	145	135	95	85	0,581	0,750
	160	165	145	105	101	0,775	1,040
	180	185	145	110	110	1,006	1,250
	200	205	160	120	130	1,588	1,550
	225	230	165	130	140	2,101	2,320
	250	260	168	135	154	2,505	2,600
	280	295	195	140	190	3,455	2,800
	300	315	200	150	205	4,221	3,700
	320	340	212	160	215	5,022	4,250

**ZEL-103 Elevatör Kasnağı**

**Elevator Pulley**  
**Шкив Нории**



Code	Diameter (mm)
ZEL -103	250 / 150
	300 / 140
	300 / 160
	320 / 190
	400 / 220
	400 / 240
	500 / 260
	500 / 360
	600 / 280
	630 / 440
700 / 360	



## ZEL-104 Elevatör Kayışları (Kauçuk)

Elevator Belts (Rubber)  
Лента Нории (Каучуковая)



Code	Width (mm)	Layer									
		2	3	4	5	6	7	8	9	10	
ZEL-104	40	-	X	X	X						
	50	-	X	X	X						
	60	-	X	X	X						
	70	-	X	X	X						
	80	-	X	X	X						
	90	-	X	X	X						
	100	-	-	X	X	X					
	110	-	-	X	X	X					
	125	-	-	X	X	X					
	140	-	-	X	X	X	-	X			
	160	-	-	X	X	X	-	X			
	180	-	-	X	X	X	X	X			
	200	-	-	X	X	X	X	X			
	220	-	-	-	X	X	X	X			
	250-280	-	-	-	X	X	X	X			
	310	-	-	-	-	X	X	X			
	350	-	-	-	X	X	X	X			
	400-450	-	-	X	-	X	-	X	X	X	X
500-600	-	-	X	-	X	X	X	X	X	X	

## ZEL-105 Elevatör Kayışları (Kauçuk)

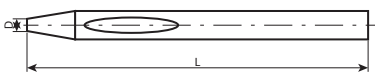
Elevator Belts (Rubber)  
Лента Нории (Каучуковая)



Code	Width (mm)	Layer					
		2	3	4	5	6	
ZEL-105	160	-	-	X	X	X	
	180	-	-	X	X	X	
	200	-	-	X	X	X	
	220	-	-	-	X	X	
	250-280	-	-	-	X	X	
	310	-	-	-	-	X	
	350	-	-	-	X	X	
	400-450	-	X	X	-	X	
	500-600	-	X	X	-	-	

## ZEL-106 Kayış Zımba

Belt Punch  
Дырокол Ленты Нории



Code	Type	ØD (mm)	L (mm)			Code	Type	ØD (mm)	L (mm)			
ZEL-106	3	3	105	35	10	ZEL-106	17	17	140	365	5	
	4	4	105	40	10		18	18	140	380	5	
	5	5	110	50	10		19	19	145	405	5	
	6	6	110	60	10		20	20	145	450	5	
	7	7	115	75	10		21	21	150	250	5	
	8	8	115	90	10		22	22	150	260	5	
	9	9	120	100	10		23	23	160	305	5	
	10	10	120	110	10		24	24	160	320	5	
	11	11	125	130	5		25	25	170	365	5	
	12	12	125	165	5		26	26	170	365	5	
	13	13	130	165	5		27	27	180	415	5	
	14	14	130	180	5		28	28	180	420	5	
	15	15	135	245	5		29	29	190	465	5	
	16	16	135	300	5							

**ZEL-107 SN Yataklı Rulmanlar**

**SN Bearing With Housing**  
**Подшипник С Корпусом тип SN**



Code	Type
ZEL-107	30 SN 507
	35 SN 508
	40 SN 509
	45 SN 510
	50 SN 511
	55 SN 512

Code	Type
ZEL-107	60 SN 513
	65 SN 515
	70 SN 516
	75 SN 517
	80 SN 518
	100 SN 522

**ZEL-108 Elevator Kasnakları**

**Elevator Pulley**  
**Шкив подъема**



Code	Type	Bearin No			
		UCF	UCFL	UCT	UCP
ZEL-108	204	x	x	x	x
	205	x	x	x	x
	206	x	x	x	x
	207	x	x	x	x
	208	x	x	x	x
	209	x	x	x	x
	210	x	x	x	x
	211	x	x	x	x
	212	x	x	x	x
	213	x	x	x	x
	214	x	x	x	x
	215	x	x	x	x
	216	x	x	x	x
	217	x	x	x	x
	218	x	x	x	x

**ZEL-109 Elevatör Koko Civata**

**Elevator Flat Headed Bolts**  
**Крепление Ковша Нории**



Code	Type
ZEL-109	M8 x 30
	M8 x 40
	M10 x 30
	M10 x 40

**ZEL-110 Kayış Macunu**

**Belt Paste**  
**Паста Для Ремня (Смазка)**

