



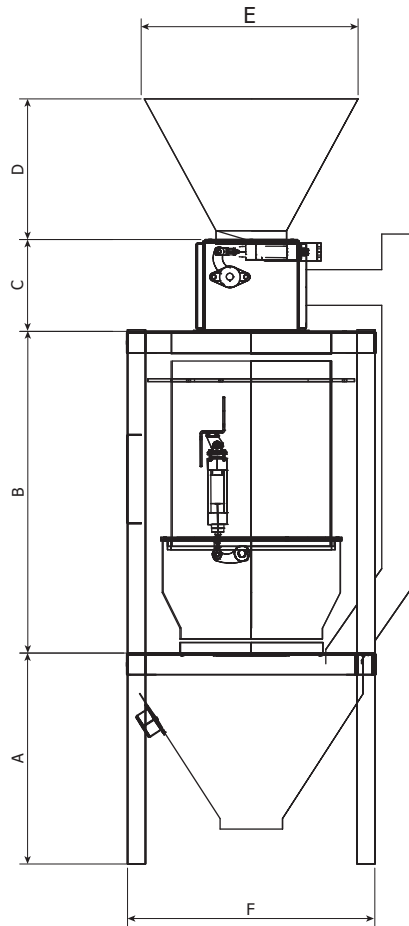
RANDIMAN KANTARI

Extraction Scale

Поточные Весы



Type	Technical Features							
	Product (Wheat-Flour- Bran)''	Capacity (lt)	Capacity (t/h)			Aspiration (m ³)	Air Compressor (m/bar)	Weight (kg)
			Wheat	Flour	Bran			
ZRK-030	Wheat-Flour-Bran	30	2-5	0-3	0-1,5	8	5-6	300
ZRK-060	Wheat-Flour-Bran	60	3-10	1-6	1-3	10	5-6	325
ZRK-100	Wheat-Flour-Bran	100	5-25	4-15	2-6	12	5-6	375
ZRK-220	Wheat-Flour-Bran	220	10-50	6-30	3-15	12	5-6	585
ZRK-450	Wheat	450	50-100	---	---	16	5-6	1220
ZRK-700	Wheat	700	100-150	---	---	20	5-6	1415
ZRK-1500	Wheat	1500	150-300	---	---	28	5-6	2265



Type	Dimensions (mm)					
	A	B	C	D	E	F
ZRK-030	860	760	590	300	490	2140
ZRK-060	930	760	690	300	490	2240
ZRK-100	1030	860	760	300	490	2410
ZRK-220	1400	1240	930	930	815	3345
ZRK-450	1870/1200	1350	1000	1000	900	3670
ZRK-700	1870/1300	1550	1000	1000	1150	4120
ZRK-1500	1870/1600	1800	1800	1465	1550	5235